

Electro-Voice

ELECTRO-VOICE, INC.
BUCHANAN, MICHIGAN



Specifications

Model 600TR Microphone Model ~~602TR~~ Microphone

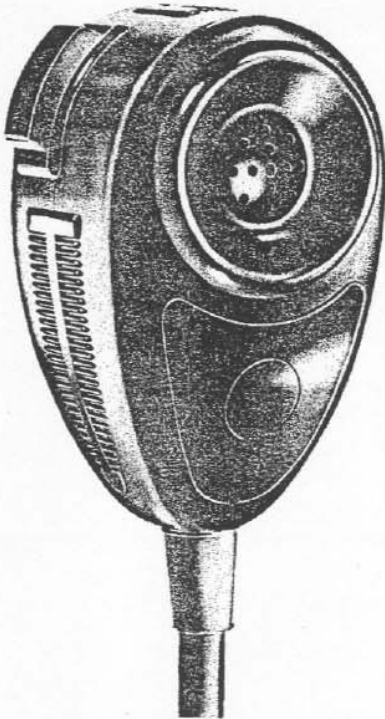


Fig. 1 - Model 600TR/602TR Microphones

The Model 600TR is a dynamic type, essentially omnidirectional microphone specifically designed for fixed-station and mobile applications. It contains a compact, two stage transistor amplifier built into the microphone case. The amplifier section, approximately the size of a silver dollar, is well stabilized, and will operate from 140°F. down to freezing temperatures.

The advantage of long life of the transistor amplifier, plus dynamic construction with reduced service requirements, makes the Model 600TR ideal for applications previously requiring a carbon microphone. Speech is reproduced clearly and distinctly with the same sensitivity as the carbon type.

The Model 602TR is similar to the 600TR, but is designed for close-talking, noise-cancelling applications in high ambient noise areas. It is a dynamic type, bidirectional microphone for fixed-station and mobile use incorporating the same built-in transistor amplifier as used in the 600TR.

Both Models 600TR and 602TR may be used to replace carbon microphones with no change in auxiliary equipment. They have the same size rugged black phenolic case with mounting bracket included. The press-to-talk switch on each may also actuate a relay to control the transmitter.

CAUTION NOTE: *Observe polarity when connecting! Improper connection will permanently harm transistors.*

SPECIFICATIONS

All specifications for both Models 600TR and 602TR unless otherwise specified.

Type: Dynamic

Frequency Response: 100 to 7,000 cps See fig. 2

Impedance: 150 ohms

Output Level: -23 db (0 db = 1 mw/10 dynes/cm²). EIA sensitivity rating -117 db -150 ohms

Polar Pattern, Model 600TR: Omnidirectional, becoming directional at high frequencies. See fig. 3

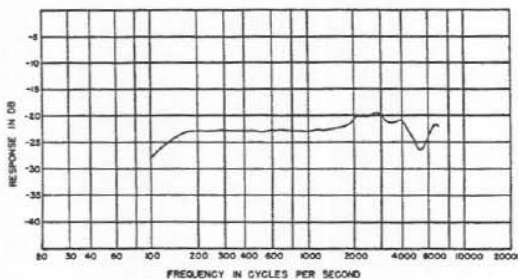


Fig. 2. - Response

SPECIFICATIONS
ELECTRO-VOICE, INC. BUCHANAN, MICHIGAN

Electro-Voice Specifications / Model 600TR/602TR Microphones

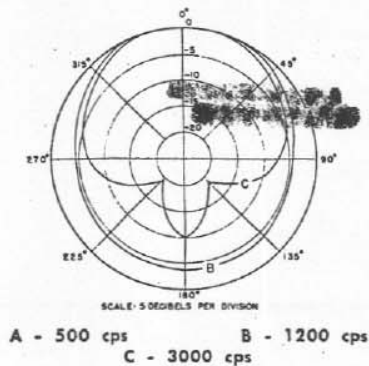


Fig. 3 - Polar Pattern - Model 600TR

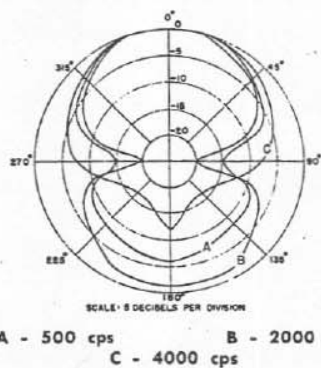


Fig. 4 - Polar Pattern - Model 602TR

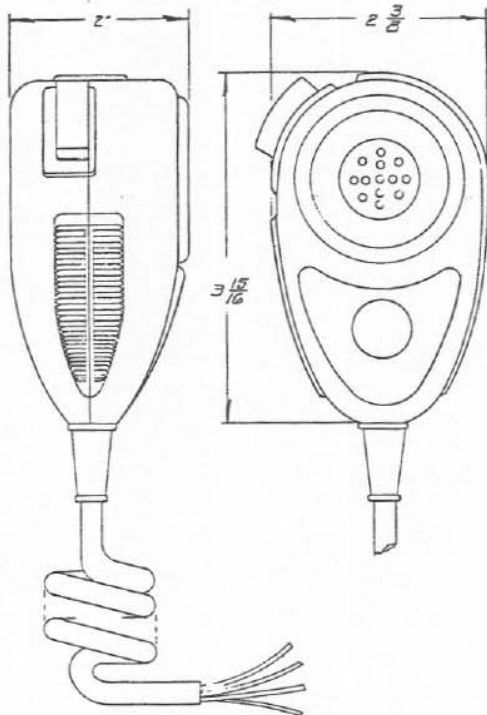


Fig. 5 - Dimensions

Polar Pattern, Model 602TR: Bidirectional (close talking). See fig. 4

Diaphragm: Electro-Voice Acoustalloy

Transistor Amplifier:

Power Gain: 35 db (6 volts)

Current Drain: 8 ma (6 volts), 25 ma (20 volts)

Rated Supply Voltage: 6 to 20 volts, useable down to 2 volts

Maximum Undistorted Output: 0.7 volt (6 volt supply),
2.0 volts (20 volt supply)

On-Off Switch: Sliding contact opens microphone circuit in off position. Also provided with contacts for relay operation.

Case: High impact phenolic

Finish: Black

Dimensions: See fig. 5

Length: 3-15/16 in.

Width: 2-3/8 in.

Depth: 2 in.

Net Weight: 13 oz. (with cable)

Cable: Four conductor, non-shielded, rubber jacket, black, coiled cord. Extends to 6 feet.

Warranty: The Electro-Voice Models 600TR and 602TR are guaranteed against defects in workmanship and material.

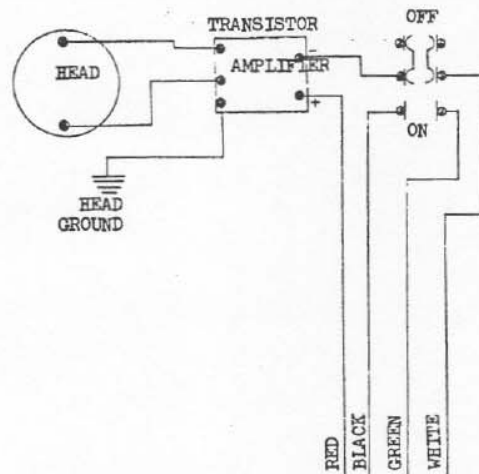


Fig. 6 - Wiring Diagram